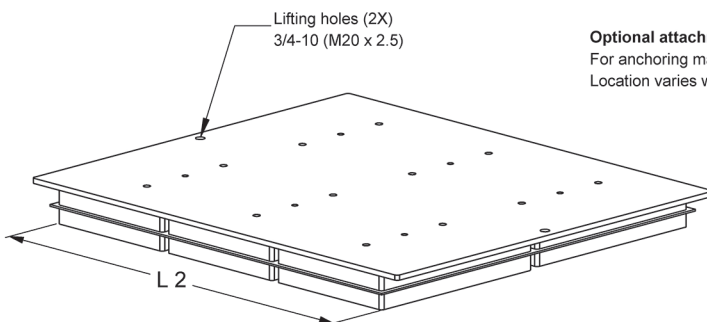
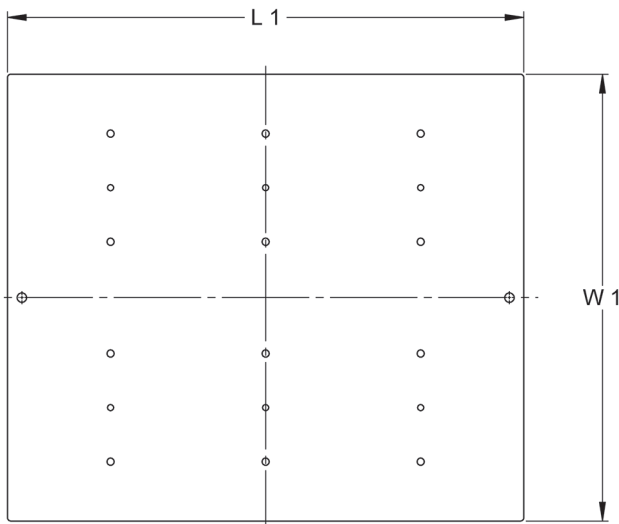


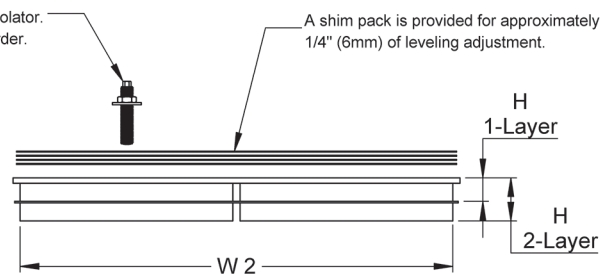
- Excellent isolation for effective control of vibration and shock.
- High-performance, multi-layer, modular elastomer construction.
- Shim leveling using metal shims supplied by Vibro/Dynamics.
- Large anchor bolts not required to keep machine from walking.
- Grout or sole plates are recommended, but usually not required due to wide foundation tilt and slope tolerance.

CUSTOM DESIGNS & SIZES ARE AVAILABLE

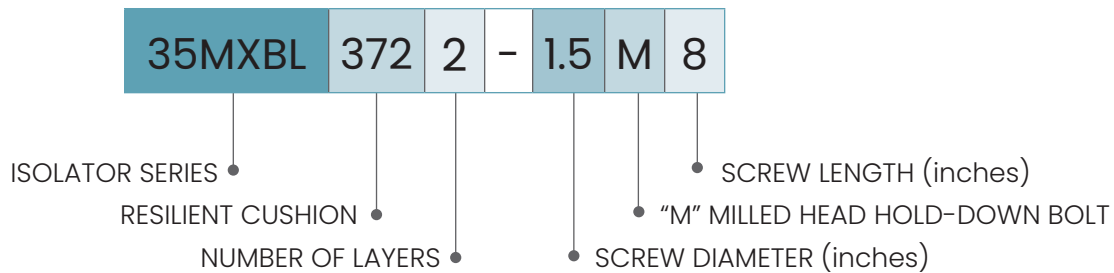


Optional attachment bolt

For anchoring machine to isolator.
Location varies with each order.



Isolator		L ₁		W ₁		L ₂		W ₂		H ±1/8" (3mm)		Foundation Tolerances				Weight		
Series	Model	inch		mm		inch		mm		Min. Installed		Flatness ±		Slope in/ft		lbs.	Kg	
										inch	mm	inch	mm	inch	mm			
35MXBL	1 Layer	35MXBL2851	35.8	909	31.0	787	31.8	807	30.0	762	2.2	56	0.07	1.8	0.03	0.8	365	166
		35MXBL3721	35.8	909	31.0	787	31.8	807	30.0	762	1.8	46	0.05	1.3	0.02	0.5	345	157
36MXBL		36MXBL4321	35.8	909	31.0	787	31.8	807	30.0	762	1.6	41	0.04	1.0	0.02	0.5	340	154
35MXBL	2 Layer	35MXBL2852	35.8	909	31.0	787	31.8	807	30.0	762	4.1	104	0.07	1.8	0.06	1.5	530	240
		35MXBL3722	35.8	909	31.0	787	31.8	807	30.0	762	3.3	84	0.05	1.3	0.05	1.3	495	225
36MXBL		36MXBL4322	35.8	909	31.0	787	31.8	807	30.0	762	2.9	74	0.04	1.0	0.04	1.0	475	216



TYPICAL APPLICATIONS

- Presses, Mechanical
- Forging Presses
- Transfer Presses
- Hydraulic Presses
- Isolated Foundations
- Structures

NOTE: Isolator data subject to change without notice.

09/21/2023

