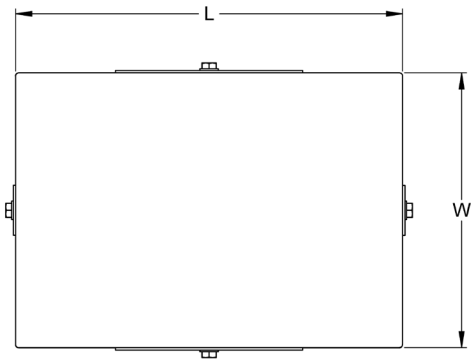
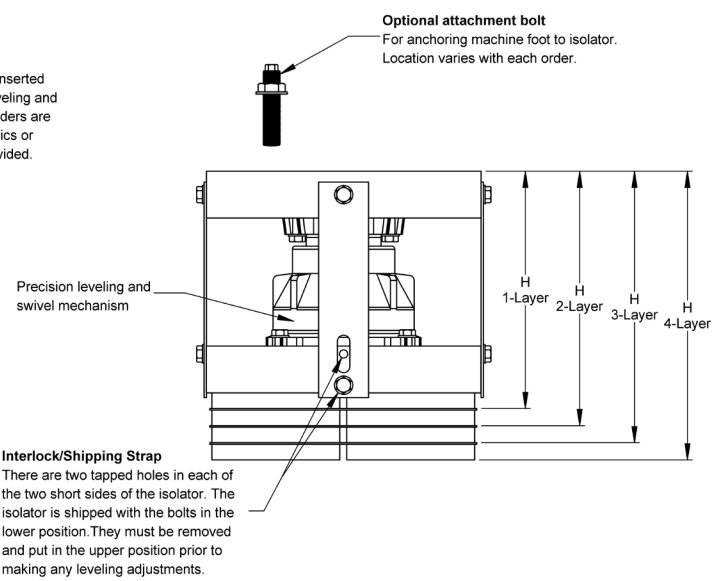
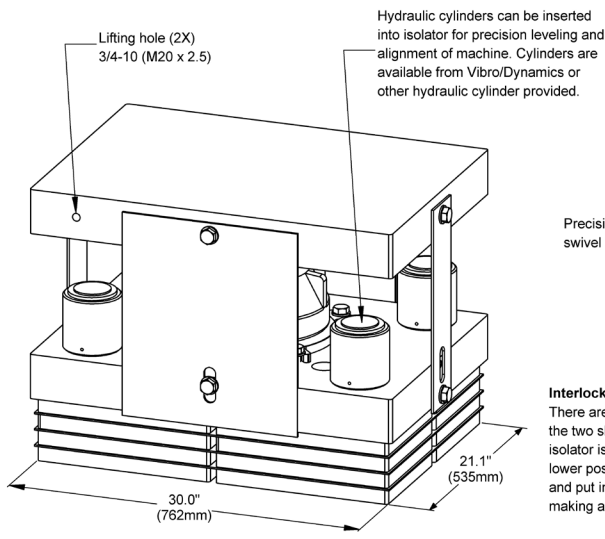


- Excellent isolation for effective control of vibration and shock
- High-performance, multi-layer, modular elastomer construction
- Hydra/Level® Assisted Leveling
 - faster, easier leveling, alignment and elevation adjustment
 - preventative maintenance insurance in the event of foundation settling.
- Integrated precision leveling
 - more precise
 - infinitely adjustable
- Two degree swiveling capability for:
 - uniform support
 - elimination of foundation, grout, or sole plates

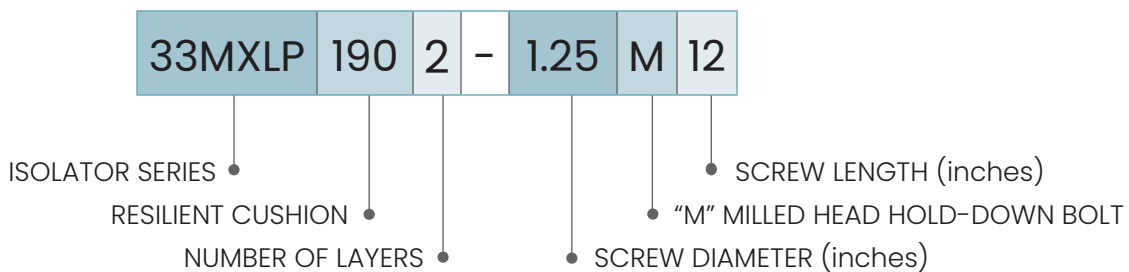


Hydraulic Cylinders used in MX Products are available from third party sources. See Specifications below.

Isolator Model	Cylinder Capacity		Number of Cylinders Required	Cylinder Dimensions				Cylinder Stroke	
	US Tons	MN		Diameter (max.)		Height (max.)		inch	mm
				inch	mm	inch	mm		
33MXLP	124	1.10	4	8.8	224	8.3	211	2.38	60
34MXLP	144	1.28	4	8.8	224	8.3	211	2.38	60



Isolator		L		W		H ±1/8" (3mm)						Weight		
Series	Model					Min.		Max.		Installed				
		inch	mm	inch	mm	inch	mm	inch	mm	inch	mm	lbs.	Kg	
33MXLP	1 Layer	33MXLP1601	31.0	787	22.0	559	18.5	470	20.5	521	19.5	495	1732	786
		33MXLP1901	31.0	787	22.0	559	18.5	470	20.5	521	19.5	495	1733	786
		33MXLP2481	31.0	787	22.0	559	18.2	462	20.2	513	19.2	488	1723	782
34MXLP	1 Layer	34MXLP2881	31.0	787	22.0	559	17.9	455	19.9	505	18.9	480	1717	779
		34MXLP3201	31.0	787	22.0	559	17.5	445	19.5	495	18.5	470	1706	774
33MXLP	2 Layer	33MXLP1602	31.0	787	22.0	559	20.5	521	22.5	572	21.5	546	1841	835
		33MXLP1902	31.0	787	22.0	559	20.5	521	22.5	572	21.5	546	1843	836
		33MXLP2482	31.0	787	22.0	559	19.8	503	21.8	554	20.8	528	1824	828
34MXLP	2 Layer	34MXLP2882	31.0	787	22.0	559	19.3	490	21.3	541	20.3	516	1811	822
		34MXLP3202	31.0	787	22.0	559	18.5	470	20.5	521	19.5	495	1788	811
33MXLP	3 Layer	33MXLP1603	31.0	787	22.0	559	22.5	572	24.5	622	23.5	597	1944	882
		33MXLP1903	31.0	787	22.0	559	22.5	572	24.5	622	23.5	597	1948	884
		33MXLP2483	31.0	787	22.0	559	21.4	544	23.4	594	22.4	569	1919	871
34MXLP	3 Layer	34MXLP2883	31.0	787	22.0	559	20.7	526	22.7	577	21.7	551	1900	862
		34MXLP3203	31.0	787	22.0	559	19.5	495	21.5	546	20.5	521	1865	846
33MXLP	4 Layer	33MXLP1604	31.0	787	22.0	559	24.5	622	26.5	673	25.5	648	2048	929
		33MXLP1904	31.0	787	22.0	559	24.5	622	26.5	673	25.5	648	2052	931
		33MXLP2484	31.0	787	22.0	559	23.1	587	25.1	546	24.1	612	2013	913
34MXLP	4 Layer	34MXLP2884	31.0	787	22.0	559	22.1	561	24.1	612	23.1	587	1988	902
		34MXLP3204	31.0	787	22.0	559	20.5	521	22.5	572	21.5	546	1942	881



- TYPICAL APPLICATIONS**
- Presses, Mechanical
 - Hydraulic Presses
 - Forging Presses
 - Isolated Foundations
 - Transfer Presses
 - Structures

NOTE: Isolator data subject to change without notice.

09/19/2023

