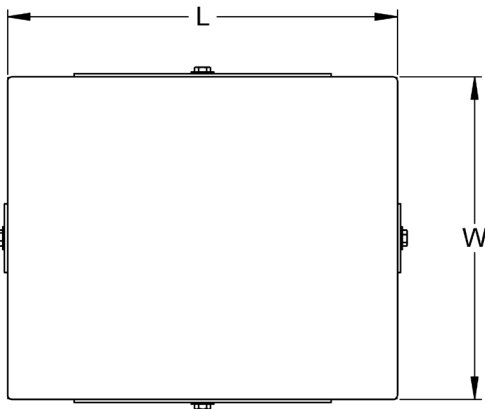


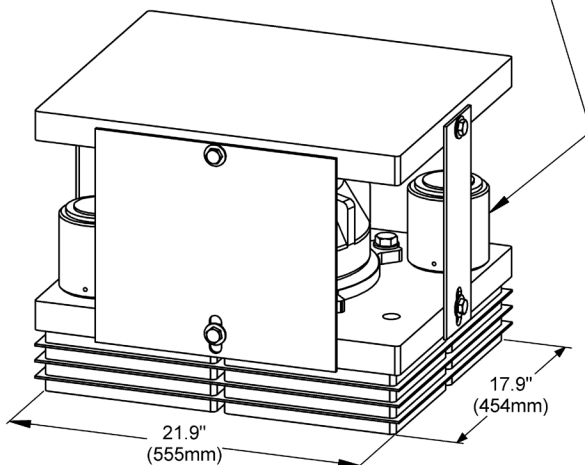
- Excellent isolation for effective control of vibration and shock
- High-performance, multi-layer, modular elastomer construction
- Hydra/Level® Assisted Leveling
 - faster, easier leveling, alignment and elevation adjustment
 - preventative maintenance insurance in the event of foundation settling.
- Integrated precision leveling
 - more precise
 - infinitely adjustable
- Two degree swiveling capability for:
 - uniform support
 - elimination of foundation, grout, or sole plates



Hydraulic Cylinders used in MX Products are available from third party sources. See Specifications below.

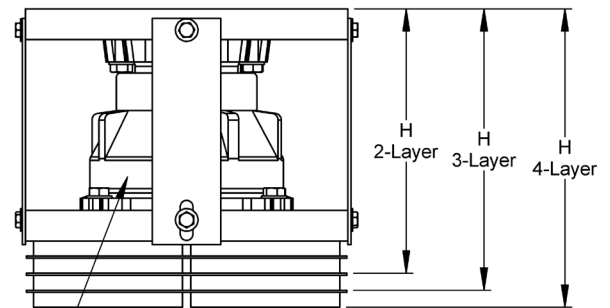
Isolator Model	Cylinder Capacity		Number of Cylinders Required	Cylinder Dimensions				Cylinder Stroke	
				Diameter (max.)		Height (max.)			
	US Tons	MN		inch	mm	inch	mm	inch	mm
2512MXLP	50	0.44	2	4.88	124	5	127	2.38	60

Hydraulic cylinders can be inserted into isolator for precision leveling and alignment of machine. Cylinders are available from Vibro/Dynamics or other hydraulic cylinder provided.



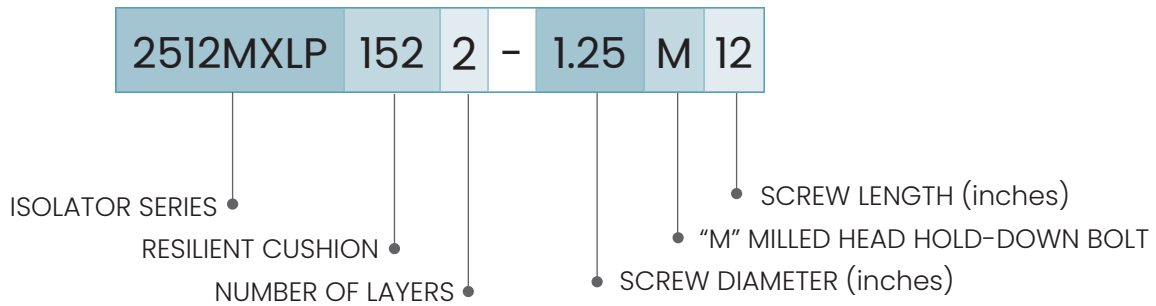
Optional attachment bolt

For anchoring machine foot to isolator. Location varies with each order.



Precision leveling and swivel mechanism

Isolator		L		W		H ±1/8" (3mm)						Weight		
Series	Model					Min.		Max.		installed				
		inch	mm	inch	mm	inch	mm	inch	mm	lbs.	Kg			
2512MXLP	2 Layer	2512MXLP0882	22.8	579	18.8	478	15.6	396	17.1	434	16.4	417	713	324
		2512MXLP1122	22.8	579	18.8	478	15.6	396	17.1	434	16.4	417	713	324
		2512MXLP1522	22.8	579	18.8	478	14.6	371	16.1	409	15.2	386	688	312
		2512MXLP2162	22.8	579	18.8	478	14.0	356	15.5	394	14.8	376	673	305
	3 Layer	2512MXLP0883	22.8	579	18.8	478	17.0	432	18.5	470	17.8	452	353	160
		2512MXLP1123	22.8	579	18.8	478	17.0	432	18.5	470	17.8	452	353	160
		2512MXLP1523	22.8	579	18.8	478	15.5	394	17.0	432	16.3	414	342	155
		2512MXLP2163	22.8	579	18.8	478	14.5	368	16.0	406	15.2	386	335	152
	4 Layer	2512MXLP0884	22.8	579	18.8	478	18.4	467	19.9	505	19.2	488	383	174
		2512MXLP1124	22.8	579	18.8	478	18.4	467	19.9	505	19.2	488	383	174
		2512MXLP1524	22.8	579	18.8	478	16.4	417	17.9	455	17.2	437	372	169
		2512MXLP2164	22.8	579	18.8	478	15.1	384	16.6	422	15.9	404	365	166



TYPICAL APPLICATIONS

- Presses, Mechanical
- Forging Presses
- Transfer Presses
- Hydraulic Presses
- Isolated Foundations
- Structures

NOTE: Isolator data subject to change without notice.

09/19/2023

