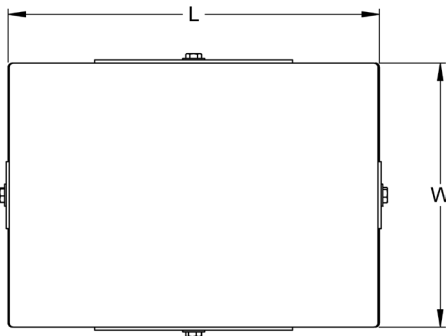


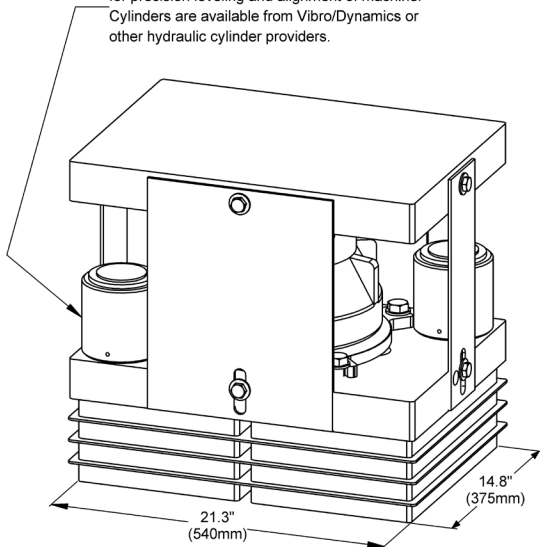
- Excellent isolation for effective control of vibration and shock
- High-performance, multi-layer, modular elastomer construction
- Hydra/Level® Assisted Leveling
 - faster, easier leveling, alignment and elevation adjustment
 - preventative maintenance insurance in the event of foundation settling.
- Integrated precision leveling
 - more precise
 - infinitely adjustable
- Two degree swiveling capability for:
 - uniform support
 - elimination of foundation, grout, or sole plates



Hydraulic Cylinders used in MX Products are available from third party sources. See Specifications below.

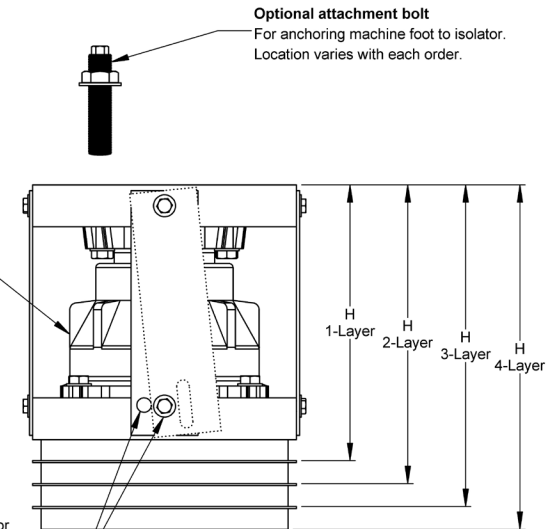
Isolator Model	Cylinder Capacity		Number of Cylinders Required	Cylinder Dimensions				Cylinder Stroke	
				Diameter (max.)		Height (max.)			
	US Tons	MN		inch	mm	inch	mm	inch	mm
24MXLP	30	0.27	2	4	102	4.63	118	2.44	62
25MXLP	50	0.44	2	4.88	124	5	127	2.38	60

Hydraulic cylinders can be inserted into isolator for precision leveling and alignment of machine. Cylinders are available from Vibro/Dynamics or other hydraulic cylinder providers.



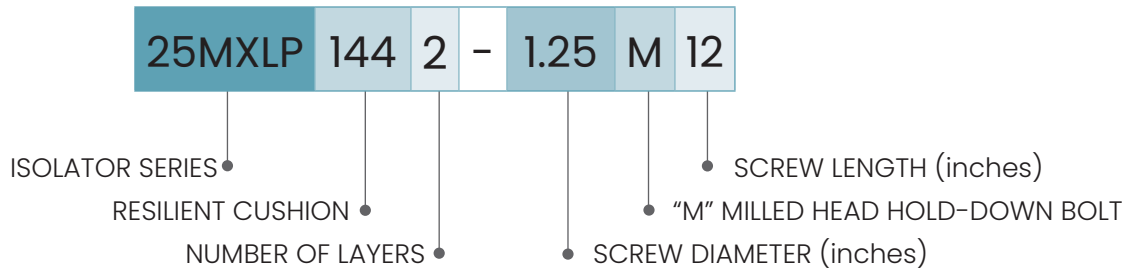
Precision leveling and swivel mechanism

Interlock/Shipping Strap
On the two short sides of the isolator the straps are assembled in the dotted line position to lock the isolator into place during shipping and handling. The straps should be repositioned like those on the long sides prior to leveling.



Optional attachment bolt
For anchoring machine foot to isolator. Location varies with each order.

Isolator		L		W		H ±1/8" (3mm)						Weight		
Series	Model					Min.		Max.		Installed		lbs.	Kg	
		inch	mm	inch	mm	inch	mm	inch	mm	inch	mm			
24MXLP	1 Layer	24MXLP0801	22	559	15.8	401	16.0	406	18.0	457	17.0	432	728	330
		24MXLP0951	22	559	15.8	401	16.0	406	18.0	457	17.0	432	728	330
		24MXLP1241	22	559	15.8	401	15.6	396	17.6	447	16.6	422	723	328
25MXLP		25MXLP1441	22	559	15.8	401	15.4	391	17.4	442	16.4	417	720	327
24MXLP	2 Layer	24MXLP0802	22	559	15.8	401	17.9	455	19.9	505	18.9	480	780	354
		24MXLP0952	22	559	15.8	401	17.9	455	19.9	505	18.9	480	781	354
		24MXLP1242	22	559	15.8	401	17.2	437	19.2	488	18.2	462	771	350
25MXLP		25MXLP1442	22	559	15.8	401	16.7	424	18.7	475	17.7	450	765	347
24MXLP	3 Layer	24MXLP0803	22	559	15.8	401	19.8	503	21.8	554	20.8	528	831	377
		24MXLP0953	22	559	15.8	401	19.8	503	21.8	554	20.8	528	833	378
		24MXLP1243	22	559	15.8	401	18.7	475	20.7	526	19.7	500	818	371
25MXLP		25MXLP1443	22	559	15.8	401	18.0	457	20.0	508	19.0	483	809	367
24MXLP	4 Layer	24MXLP0804	22	559	15.8	401	21.7	551	23.7	602	22.7	577	872	396
		24MXLP0954	22	559	15.8	401	21.7	551	23.7	602	22.7	577	874	397
		24MXLP1244	22	559	15.8	401	20.3	516	22.3	566	21.3	541	855	388
25MXLP		25MXLP1444	22	559	15.8	401	19.4	493	21.4	544	20.4	518	842	382



TYPICAL APPLICATIONS

- Presses, Mechanical
- Forging Presses
- Transfer Presses
- Hydraulic Presses
- Isolated Foundations
- Structures

NOTE: Isolator data subject to change without notice.

09/19/2023

