

Installation and Leveling Instructions for Vibro/Dynamics AT Isolators

1. Hole Preparation and Anchor Installation

Install anchors in concrete by following anchor adhesive manufacturer's installation instructions, which were provided with the adhesives tubes. If instructions did not come with adhesive or if they have been misplaced, they can be obtained online at the following address:

http://www.simpsonanchors.com/catalog/adhesives/adhesive_anchoring_install.html

Review the chart below to select the proper drill bit for your anchor. Make sure that the proper curing time is allowed, or the strength of the bond may be reduced.

Threaded Rod Diameter	Drill Bit Diameter
1/2"	5/8"
5/8"	3/4"
3/4"	7/8"
1"	1 1/8"
1 1/4"	1 3/8"

2. Isolator and Machine Placement

Inspect the area around the anchor. The concrete under the isolator must be clean and there should not be any cracks, holes, peaks, or valleys under the isolator. Repair any damage to the concrete. Degrease area with de-natured alcohol. Patch holes and cracks with non-shrink foundation grout.

Inspect the machine feet and legs. Cracked feet or legs should be repaired. The bottom of the machine feet must be clean and flat where they contact the top of the isolator.

Once all appropriate surfaces have been cleaned and inspected, place the isolation element over anchor. The resilient member should be in contact with the foundation or floor, unless specified otherwise. Make sure that the anchor is concentric in the clearance hole of the isolation element, as shown in Figure 1 on the right-hand side.

Once the isolator has been placed, lower the machine onto the isolator, again making sure that the anchor is as close to the center of the hole in the foot as possible.

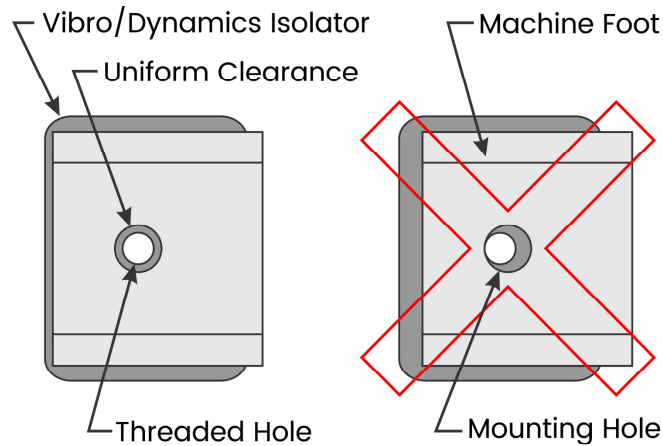


Figure 1

3. Leveling

Using a precision machinist's level, determine the machine's low side in the front-to-back direction. After lifting the machine off the mounts, apply equal amounts of the provided shims to all isolators on the low side of the machine until the machine is level in that direction when supported by the isolation elements. Repeat procedure in left-to-right direction of press until the machine is in a planar, level condition.

4. Tightening Locknuts

Once the machine is leveled, pre-load must be applied to the Spring Washers. Begin by hand-tightening all the Lock Nuts at all mounting points. Once all Lock Nuts are hand-tightened, tighten them further, per the specifications in the Chart below. It is important to not overload the Spring Washers by overturning the Lock Nuts. Figures 2 and 3 show the difference between a properly load spring washer and an overloaded spring washer.

Threaded Rod Diameter	Number of Turns After Nut Firmly Contacts Washer
1/2"	1.5
5/8"	1.25
3/4"	1.25
1"	1
1 1/4"	0.75

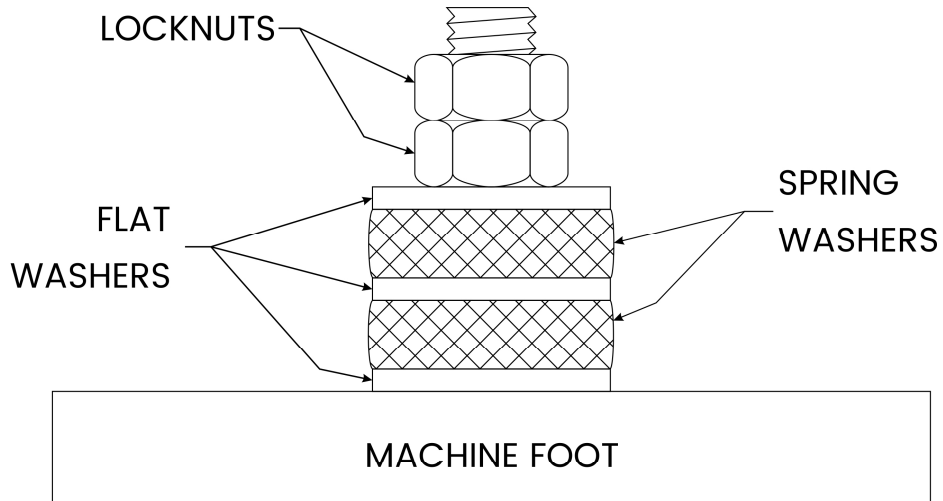


Figure 2 spring washers with an acceptable amount of pre-load

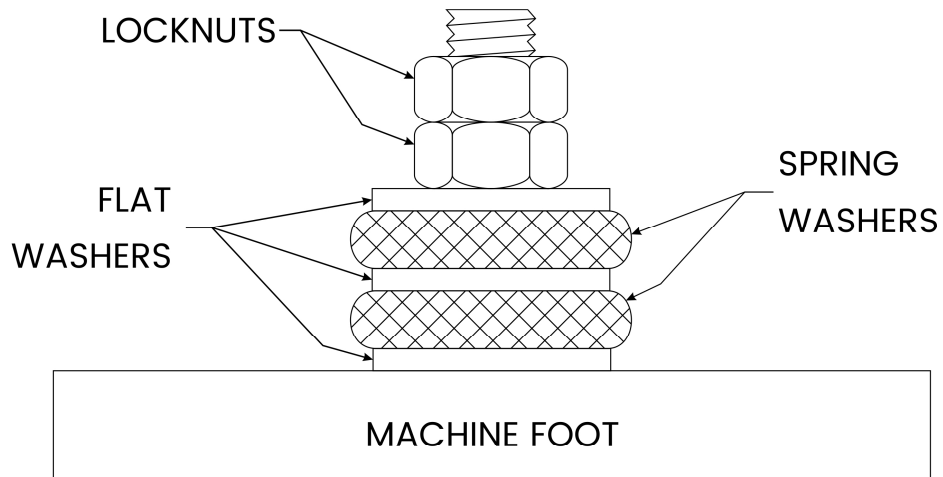


Figure 3 spring washers with excessive pre-load

Lock the nut in place with second jam nut.

Two weeks after installation, check the adjustments of the locknuts, as relaxation of the resilient member of the isolator will have caused the elastomeric washers to de-compress. If loose, retighten per this procedure. Periodically check the washers and nuts thereafter, and re-adjust as needed.

Machine motion on isolators, even anchored, is normal and necessary to achieve isolation. Do not tighten the anchors to reduce or eliminate machine motion.