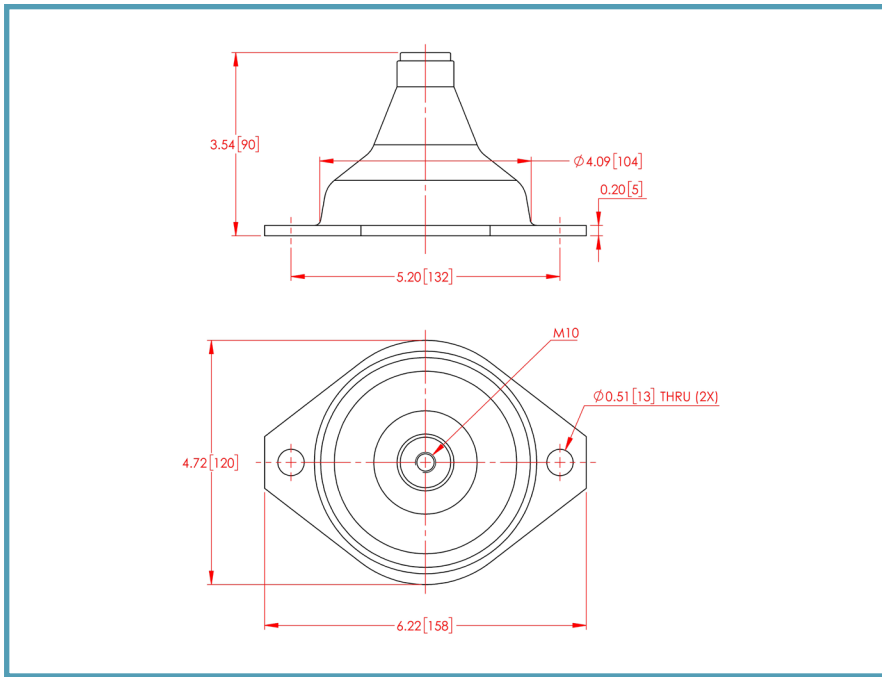


# MODEL: VBFL-1 SERIES



- Multidirectional vibration/shock isolators
- Up to 1.8 inch [46mm] displacement under shock
- Transmissibility:  $Q < 10$
- Maximum static load 3g
- Between 10 and 12 Hz resonant frequency
- Up to 0.05 inch [1.3mm] in maximum peak output at resonance
- Superior temperature range:  $-20^{\circ}\text{F}$  to  $210^{\circ}\text{F}$  ( $-29^{\circ}\text{C}$  to  $99^{\circ}\text{C}$ )
- Great adaptability/versatility
- Custom by request

Dimensions are for reference only

## Example:



**Prefix:**  
'low frequency' isolator from the VBFL-1 series

Load	Static Load (lbf)		Static Load (daN)		Axial Stiffness		Weight	
2	9	18	4	8	69	12	1.1	0.5

**Series**  
Material and finishes (RoHS compliant)

**Elastomer:**  
Polychloroprene

**Interfaces:**  
corrosion protected steel  
Other materials by request

Load	Static Load (lbf)		Static Load (daN)		Axial Stiffness		Weight	
Capability	Min.	Max.	Min.	Max.	lbf/in	N/mm	lbs.	Kg.
2	9	18	4	8	69	12	1.1	0.5
3	18	27	8	12	140	25		

NOTE: Isolator data subject to change without notice.

09/30/2020