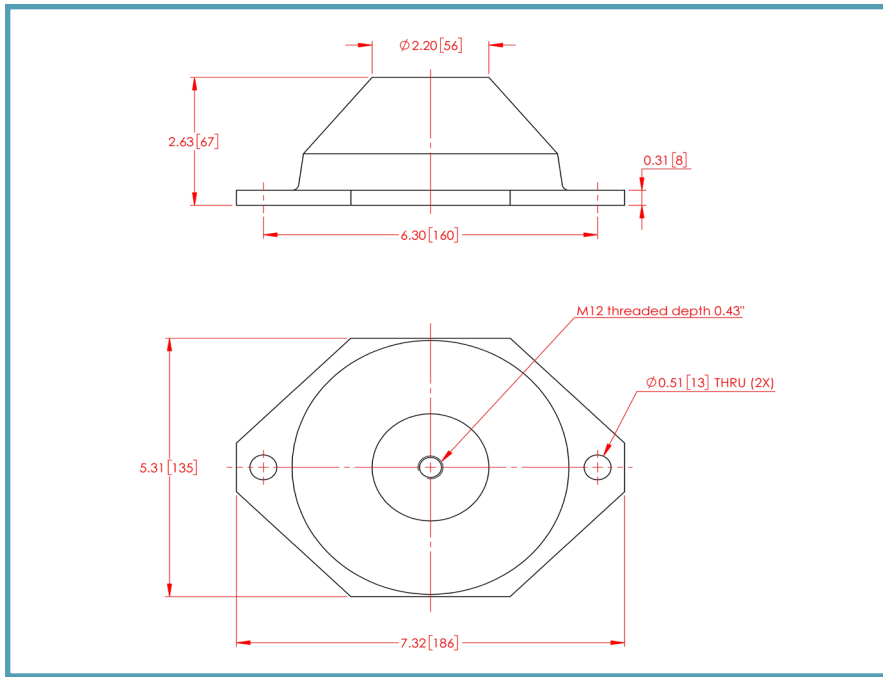


MODEL: VBFJ-2 SERIES



- Multidirectional vibration/shock isolators
- Up to 2.0 inch [51mm] displacement under shock*
- Transmissibility: $Q < 10$
- Maximum static load 3g
- Between 7 and 13 Hz resonant frequency
- Up to 0.05 inch [1.3mm] in maximum peak output at resonance
- Superior temperature range: -20°F to 210°F (-29°C to 99°C)
- Great adaptability/versatility
- Custom by request

Dimensions are for reference only

Example:



Prefix:
'low frequency' isolator from the VBFJ-2 series

Series
Material and finishes (RoHS compliant)

Elastomer:
Polychloroprene

Interfaces:
corrosion protected steel
Other materials by request



Load	Static Load (lbf)		Static Load (daN)		Axial Stiffness		Weight	
1	22	45	10	20	230	40	3.0	1.4

Load	Static Load (lbf)		Static Load (daN)		Axial Stiffness		Weight	
Capability	Min.	Max.	Min.	Max.	lbf/in	N/mm	lbs.	Kg.
1	22	45	10	20	230	40	3.0	1.4
2	45	90	20	40	370	65		
3	79	160	35	71	660	116		
4	130	290	58	129	1100	193		

*Displacement under shock is limited to 1.4" (36mm) in tension for VBFJ-24

NOTE: Isolator data subject to change without notice.

09/30/2020