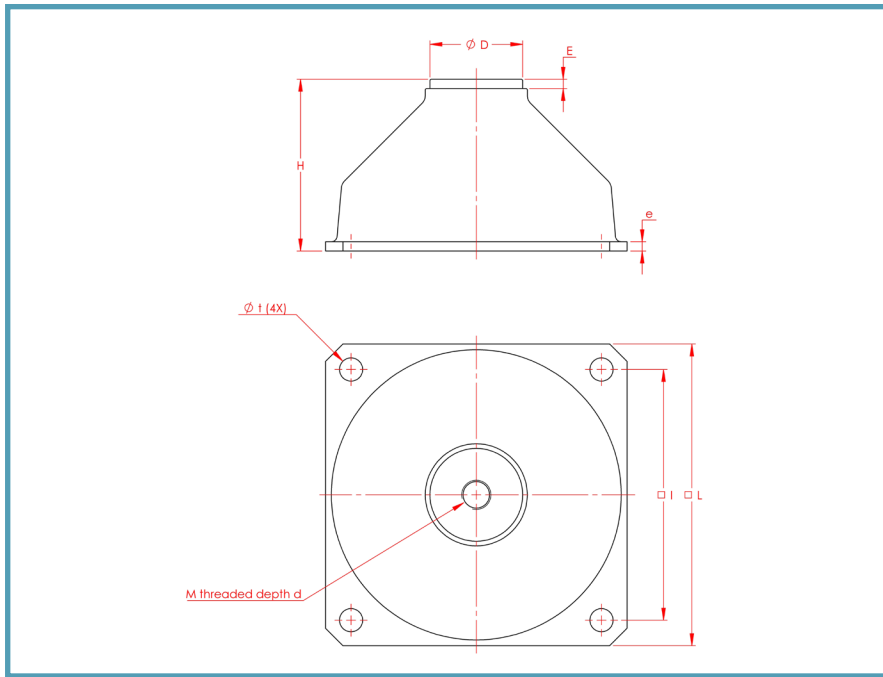


MODEL: VBFC SERIES



- Multidirectional vibration/shock isolators
- Up to 1.5 inch [38mm] displacement under shock*
- Transmissibility: $Q < 10$
- Maximum static load 3g
- Between 5 and 10 Hz resonant frequency
- Up to 0.08 inch [2.0mm] in maximum peak output at resonance
- Superior temperature range: -20°F to 210°F (-29°C to 99°C)
- Great adaptability/versatility
- Custom by request

Dimensions are for reference only

Example:

V B F C - 1 1



Prefix:
'low frequency' isolator from the VBFC series

Dimensions and Load										static load (lbf)		static load (daN)		axial stiffness		weight	
-11	3.7	6.5	5.4	0.2	2.0	0.2	0.5	M16	1.2	67	220	30	98	490	86	4.5	2.0

Series
Material and finishes (RoHS compliant)

Elastomer:
Polychloroprene

Interfaces:
corrosion protected steel
Other materials by request

Model	Dimensions and Load										static load (lbf)		static load (daN)		axial stiffness		weight	
	H	L	l	e	D	E	t	M	d	min	max	min	max	lbf/in	N/mm	lbf	Kg	
-11										67	220	30	98	490	86	4.5	2.0	
-12										90	310	40	138	690	121			
-13	3.7 (94)	6.5 (165)	5.4 (137)	0.2 (5)	2.0 (51)	0.2 (5)	0.5 (13)	M16	1.2 (31)	110	400	49	178	860	151			
-14										160	540	71	240	1200	210			
-15										220	850	98	378	1800	315			
-16	340	1100	151	489	2700	473												
-27										400	1600	178	712	3400	595	20	4.5	
-28	4.4 (112)	8.7 (221)	7.1 (180)	0.4 (10)	3.0 (76)	0.1 (3)	0.7 (18)	M30	1.8 (46)	490	2000	218	890	4600	806			
-29										670	2700	298	1201	6300	1103			

*Displacement in radial direction is limited to 0.59" [15.0mm] in under shock for -27, -28 and -29

NOTE: Isolator data subject to change without notice.

09/30/2020