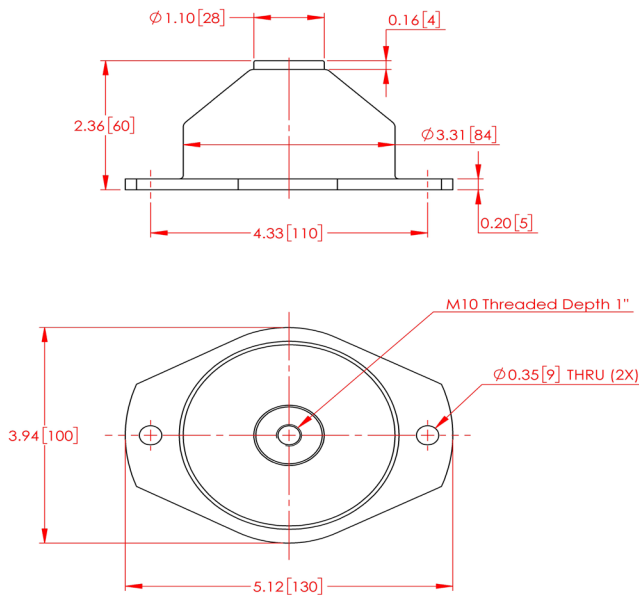


MODEL: VBFB SERIES



- Multidirectional vibration/shock isolators
- Up to 1.2 inch [30mm] displacement under shock
- Transmissibility: Q < 6
- Maximum static load 3g
- Between 8 and 14 Hz resonant frequency*
- Up to 0.05 inch [1.3mm] in maximum peak output at resonance
- Superior temperature range: -20°F to 210°F (-29°C to 99°C)
- Great adaptability/versatility
- Custom by request

Dimensions are for reference only

Example:



Prefix:
'low frequency' isolator from the VBFB series

Load	Static Load (lbf)		Static Load (daN)		Axial Stiffness		Weight	
1	34	100	15	45	490	86	1.3	0.6

Series
Material and finishes (RoHS compliant)

Elastomer:
Polychloroprene
Interfaces:
corrosion protected steel
Other materials by request

Load	Static Load (lbf)		Static Load (daN)		Axial Stiffness		Weight	
Capability	Min.	Max.	Min.	Max.	lbf/in	N/mm	lbs.	Kg.
1	34	100	15	45	490	86	1.3	0.6
2	67	160	30	71	830	145		
3	110	270	49	120	1400	245		

*Resonant frequency is between 6 and 12 Hz along radial direction.

NOTE: Isolator data subject to change without notice.

09/24/2020