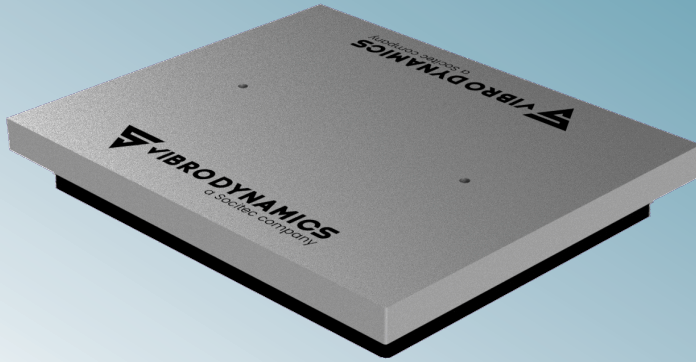
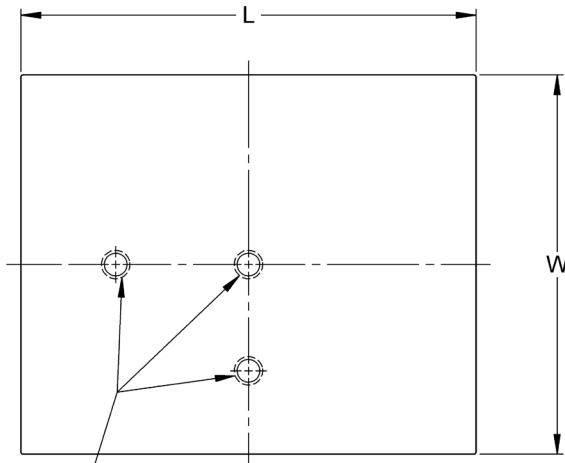


MODEL: 12MXBN



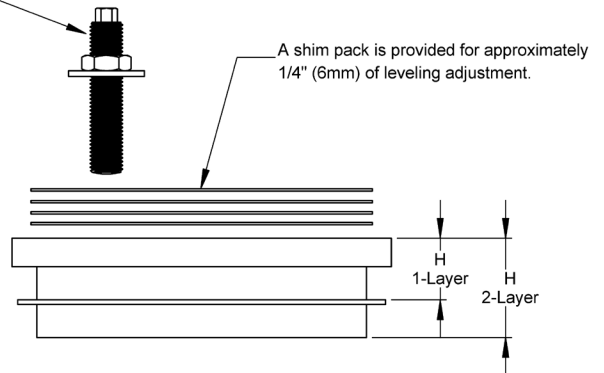
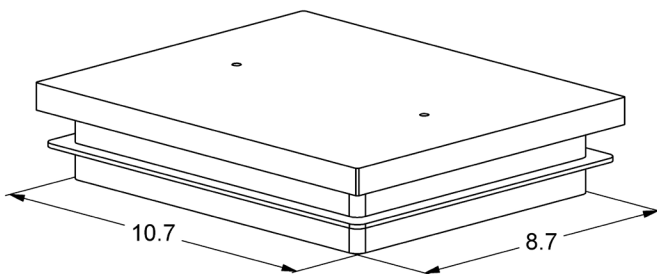
- Excellent isolation for effective control of vibration and shock.
- High-performance, multi-layer, modular elastomer construction.
- Shim leveling using metal shims supplied by Vibro/Dynamics.
- Large anchor bolts not required to keep machine from walking.
- Grout or sole plates are recommended, but usually not required due to wide foundation tilt and slope tolerance.

CUSTOM DESIGNS & SIZES ARE AVAILABLE

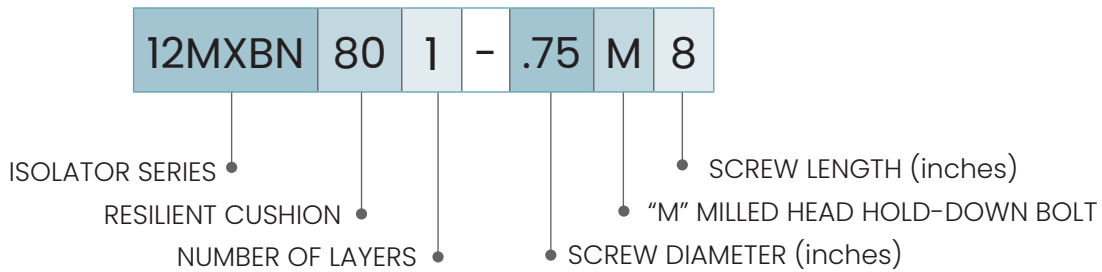


Potential attachment bolt locations.

Optional attachment bolt
For anchoring machine foot to isolator.
Location varies with each order.



Isolator		L	W	H	Foundation Tolerances		Weight (lbs)	
Series	Model			Min. Installed Height ($\pm 1/8"$)	Flatness (inches \pm)	Slope (inches/foot)		
12MXBN	1 Layer	12MXBN8801	12.0	10.0	2.1	0.07	0.04	44
		12MXBN11001	12.0	10.0	2.1	0.07	0.04	44
		12MXBN15001	12.0	10.0	1.5	0.04	0.03	40
		12MXBN22001	12.0	10.0	1.2	0.03	0.02	39
	2 Layer	12MXBN8802	12.0	10.0	3.5	0.07	0.09	55
		12MXBN11002	12.0	10.0	3.6	0.07	0.09	55
		12MXBN15002	12.0	10.0	2.5	0.04	0.05	49
		12MXBN22002	12.0	10.0	1.7	0.03	0.03	45



TYPICAL APPLICATIONS

- Presses, Mechanical
- Forging Presses
- Transfer Presses
- Hydraulic Presses
- Isolated Foundations
- Structures

NOTE: Isolator data subject to change without notice.

10/22/2020